

Max. Actuation Pressure 90psi

CV Value 2

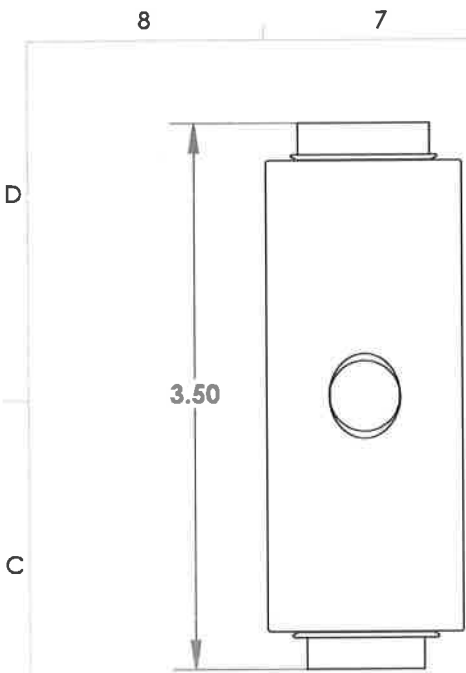
Available Sleeve Materials:

- Buna
- EPDM 30
- EPDM 60
- Silicone 120 -Gray
- Silicone 135 -Blue
- Silicone 160 -Black
- NSF51 Silicone
- Neoprene
- Natural Rubber -Black
- Natural Rubber -White
- Viton

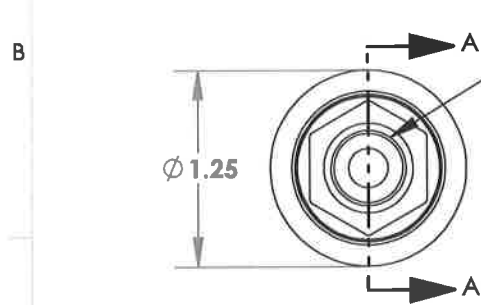
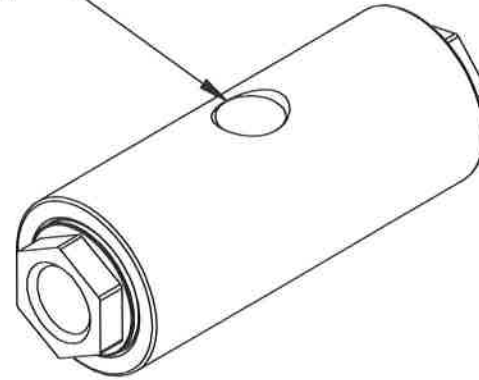
THE INFORMATION CONTAINED IN THIS DRAWING IS THE PROPERTY OF RICHWAY INDUSTRIES AND MAY ONLY BE USED FOR A SPECIFIED PURPOSE WITH THE PERMISSION OF RICHWAY INDUSTRIES

**Richway Industries**

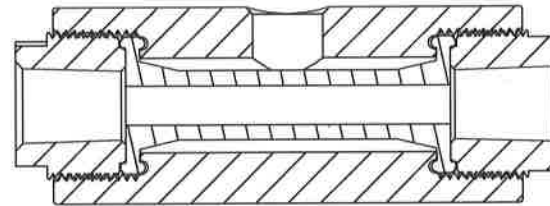
1/4" Pinch Valve  
Polypropylene & Nylon Housing



1/8" NPT  
Actuation Port



1/4" or 3/8" NPT  
Media Inlet



SECTION A-A  
SCALE 0.85 : 1

Max. Actuation Pressure 90psi

CV Value 2

Available Sleeve Materials:

- Buna
- EPDM 30
- EPDM 60
- Silicone 120 -Gray
- Silicone 135 -Blue
- Silicone 160 -Black
- NSF51 Silicone
- Neoprene
- Natural Rubber -Black
- Natural Rubber -White
- Viton

**Richway Industries**

1/4" Pinch Valve  
Stainless Steel & Aluminum Housing

THE INFORMATION CONTAINED IN THIS  
DRAWING IS THE PROPERTY OF RICHWAY  
INDUSTRIES AND MAY ONLY BE USED FOR A  
SPECIFIED PURPOSE WITH THE PERMISSION  
OF RICHWAY INDUSTRIES

02-Metal- Basic Valve Spec