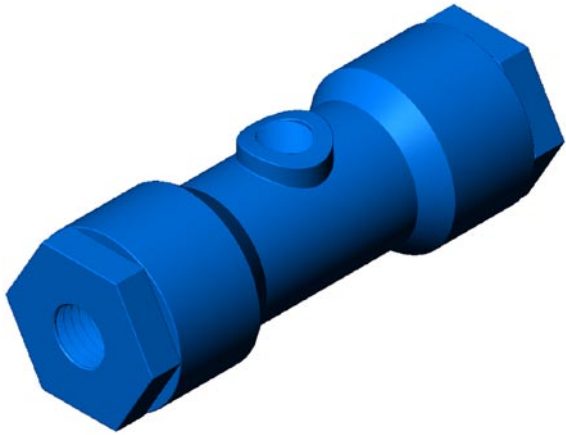


# 1/4" Pinch Valves

Specifications:

Media Inlet: .25" (O2)  
 Media Outlet: .25" (O2)  
 Actuation Port: .125"  
 Valve Length: 3.55"  
 Valve Diameter: 1.25"

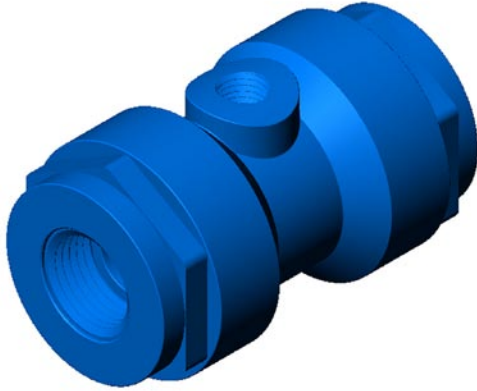


	Part #	Price	Description
Non-Food Grade Buna	AP-6010	\$38.25	AT-02-NF-B60-0202-N
	AP-6017	\$38.25	AT-02-NF-B60-0202-P
Non-Food Grade EPDM	AP-6282	\$38.25	AT-02-NF-E30-0202-N
	AP-6350	\$38.25	AT-02-NF-E30-0202-P
	AP-6283	\$38.25	AT-02-NF-E45-0202-N
	AP-6351	\$38.25	AT-02-NF-E45-0202-P
	AP-6012	\$38.25	AT-02-NF-E60-0202-N
	AP-6019	\$38.25	AT-02-NF-E60-0202-P
Non-Food Grade Silicon	AP-6284	\$46.25	AT-02-NF-I60-0202-N
	AP-6352	\$46.25	AT-02-NF-I60-0202-P
Non-Food Grade Neoprene	AP-6285	\$46.25	AT-02-NF-N60-0202-N
	AP-6353	\$46.25	AT-02-NF-N60-0202-P
Non-Food Grade Rubber	AP-6286	\$46.25	AT-02-NF-R60-0202-N
	AP-6354	\$46.25	AT-02-NF-R60-0202-P
Non-Food Grade Viton	AP-6013	\$75.25	AT-02-NF-V65-0202-N
	AP-6020	\$75.25	AT-02-NF-V65-0202-P
Replacement Sleeves	AP-6154	\$18.00	AT-S-02-NF-B60
	AP-6250	\$18.00	AT-S-02-NF-E30
	AP-6259	\$18.00	AT-S-02-NF-E45
	AP-6155	\$18.00	AT-S-02-NF-E60
	AP-6260	\$26.00	AT-S-02-NF-I60
	AP-6261	\$26.00	AT-S-02-NF-N60
	AP-6262	\$26.00	AT-S-02-NF-R60
AP-6156	\$55.00	AT-S-02-NF-V65	

# 3/8" Pinch Valves

**Specifications:**

Media Inlet: .25" (02) or .375" (03)  
 Media Outlet: .25" (02) or .375" (03)  
 Actuation Port: .125"  
 Valve Length: 2.875"  
 Valve Diameter: 1.75"

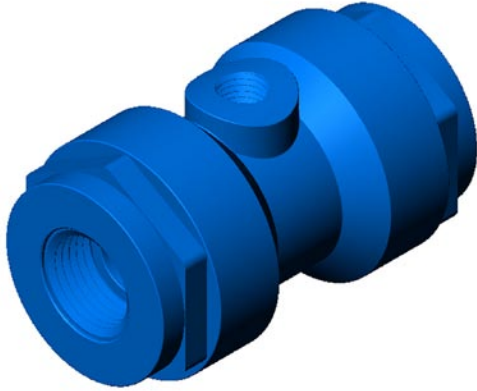


	Part #	Price	Description
Non-Food Grade Buna	AP-6433	\$57.00	AT-03-NF-B60-0202-N
	AP-6479	\$57.00	AT-03-NF-B60-0202-P
	AP-6054	\$57.00	AT-03-NF-B60-0303-N
	AP-6046	\$57.00	AT-03-NF-B60-0303-P
Non-Food Grade EPDM	AP-6434	\$57.00	AT-03-NF-E30-0202-N
	AP-6480	\$57.00	AT-03-NF-E30-0202-P
	AP-6268	\$57.00	AT-03-NF-E30-0303-N
	AP-6263	\$57.00	AT-03-NF-E30-0303-P
	AP-6435	\$57.00	AT-03-NF-E45-0202-N
	AP-6481	\$57.00	AT-03-NF-E45-0202-P
	AP-6269	\$57.00	AT-03-NF-E45-0303-N
	AP-6264	\$57.00	AT-03-NF-E45-0303-P
	AP-6437	\$57.00	AT-03-NF-E60-0202-N
	AP-6483	\$57.00	AT-03-NF-E60-0202-P
	AP-6056	\$57.00	AT-03-NF-E60-0303-N
	AP-6048	\$57.00	AT-03-NF-E60-0303-P

# 3/8" Pinch Valves

**Specifications:**

Media Inlet: .25" (02) or .375" (03)  
 Media Outlet: .25" (02) or .375" (03)  
 Actuation Port: .125"  
 Valve Length: 2.875"  
 Valve Diameter: 1.75"



	Part #	Price	Description
Non-Food Grade Silicon	AP-6438	\$63.00	AT-03-NF-I60-0202-N
	AP-6484	\$63.00	AT-03-NF-I60-0202-P
	AP-6270	\$63.00	AT-03-NF-I60-0303-N
	AP-6265	\$63.00	AT-03-NF-I60-0303-P
Non-Food Grade Neoprene	AP-6439	\$63.00	AT-03-NF-N60-0202-N
	AP-6485	\$63.00	AT-03-NF-N60-0202-P
	AP-6271	\$63.00	AT-03-NF-N60-0303-N
	AP-6266	\$63.00	AT-03-NF-N60-0303-P
Non-Food Grade Rubber	AP-6440	\$63.00	AT-03-NF-R60-0202-N
	AP-6486	\$63.00	AT-03-NF-R60-0202-P
	AP-6272	\$63.00	AT-03-NF-R60-0303-N
	AP-6267	\$63.00	AT-03-NF-R60-0303-P
Non-Food Grade Viton	AP-6441	\$104.00	AT-03-NF-V65-0202-N
	AP-6487	\$104.00	AT-03-NF-V65-0202-P
	AP-6057	\$104.00	AT-03-NF-V65-0303-N
	AP-6049	\$104.00	AT-03-NF-V65-0303-P

Replacement Sleeves	AP-6157	\$22.00	AT-S-03-NF-B60
	AP-6242	\$22.00	AT-S-03-NF-E30
	AP-6243	\$22.00	AT-S-03-NF-E45
	AP-6158	\$22.00	AT-S-03-NF-E60
	AP-6985	\$28.00	AT-S-03-NF-I18
	AP-6244	\$28.00	AT-S-03-NF-I60
	AP-6246	\$28.00	AT-S-03-NF-N60
	AP-6247	\$28.00	AT-S-03-NF-R60
	AP-6159	\$69.00	AT-S-03-NF-V65

# 5/8" Pinch Valves

Specifications:

Media Inlet: .5" (04), .75" (06), or 1" (08)  
 Media Outlet: .5" (04), .75" (06), or 1" (08)  
 Actuation Port: .25"  
 Valve Length: 4.00"  
 Valve Diameter: 2.25"



	Part #	Price	Description
Non-Food	AP-6661	\$68.00	AT-05-NF-B60-0404-N
Grade Buna	AP-6662	\$68.00	AT-05-NF-B60-0404-P
	AP-6062	\$68.00	AT-05-NF-B60-0606-N
	AP-6092	\$68.00	AT-05-NF-B60-0606-P
	AP-6078	\$68.00	AT-05-NF-B60-0808-N
	AP-6108	\$68.00	AT-05-NF-B60-0808-P
Non-Food	AP-6065	\$68.00	AT-05-NF-E30-0606-N
Grade EPDM	AP-6095	\$68.00	AT-05-NF-E30-0606-P
	AP-6080	\$68.00	AT-05-NF-E30-0808-N
	AP-6112	\$68.00	AT-05-NF-E30-0808-P
	AP-6287	\$68.00	AT-05-NF-E45-0606-N
	AP-6355	\$68.00	AT-05-NF-E45-0606-P
	AP-6318	\$68.00	AT-05-NF-E45-0808-N
	AP-6359	\$68.00	AT-05-NF-E45-0808-P
	AP-6663	\$68.00	AT-05-NF-E60-0404-N
	AP-6664	\$68.00	AT-05-NF-E60-0404-P
	AP-6064	\$68.00	AT-05-NF-E60-0606-N
	AP-6094	\$68.00	AT-05-NF-E60-0606-P
	AP-6083	\$68.00	AT-05-NF-E60-0808-N
	AP-6110	\$68.00	AT-05-NF-E60-0808-P

# 5/8" Pinch Valves

**Specifications:**

Media Inlet: .5" (04), .75" (06), or 1" (08)  
 Media Outlet: .5" (04), .75" (06), or 1" (08)  
 Actuation Port: .25"  
 Valve Length: 4.00"  
 Valve Diameter: 2.25"



	Part #	Price	Description
Non-Food Grade Silicon	AP-6066	\$72.00	AT-05-NF-I60-0606-N
	AP-6096	\$72.00	AT-05-NF-I60-0606-P
	AP-6081	\$72.00	AT-05-NF-I60-0808-N
	AP-6113	\$72.00	AT-05-NF-I60-0808-P
Non-Food Grade Neoprene	AP-6067	\$72.00	AT-05-NF-N60-0606-N
	AP-6097	\$72.00	AT-05-NF-N60-0606-P
	AP-6082	\$72.00	AT-05-NF-N60-0808-N
	AP-6114	\$72.00	AT-05-NF-N60-0808-P
Non-Food Grade Rubber	AP-6288	\$72.00	AT-05-NF-R60-0606-N
	AP-6356	\$72.00	AT-05-NF-R60-0606-P
	AP-6319	\$72.00	AT-05-NF-R60-0808-N
	AP-6360	\$72.00	AT-05-NF-R60-0808-P
	AP-7000	\$93.00	AT-05-NF-R60W-0404-P
Non-Food Grade Viton	AP-6665	\$121.50	AT-05-NF-V65-0404-N
	AP-6666	\$121.50	AT-05-NF-V65-0404-P
	AP-6068	\$121.50	AT-05-NF-V65-0606-N
	AP-6098	\$121.50	AT-05-NF-V65-0606-P
	AP-6084	\$121.50	AT-05-NF-V65-0808-N
	AP-6115	\$121.50	AT-05-NF-V65-0808-P
Replacement Sleeves	AP-6160	\$25.00	AT-S-05-NF-B60
	AP-6161	\$25.00	AT-S-05-NF-E30
	AP-6273	\$25.00	AT-S-05-NF-E45
	AP-6162	\$25.00	AT-S-05-NF-E60
	AP-6163	\$29.00	AT-S-05-NF-I60
	AP-6164	\$29.00	AT-S-05-NF-N60
	AP-6274	\$29.00	AT-S-05-NF-R60
AP-6165	\$78.50	AT-S-05-NF-V65	

# 3/4" Pinch Valves

**Specifications:**

Media Inlet: .75" (06) or .1" (08)  
 Media Outlet: .75" (06) or .1" (08)  
 Actuation Port: .25"  
 Valve Length: 4"  
 Valve Diameter: 2.25"

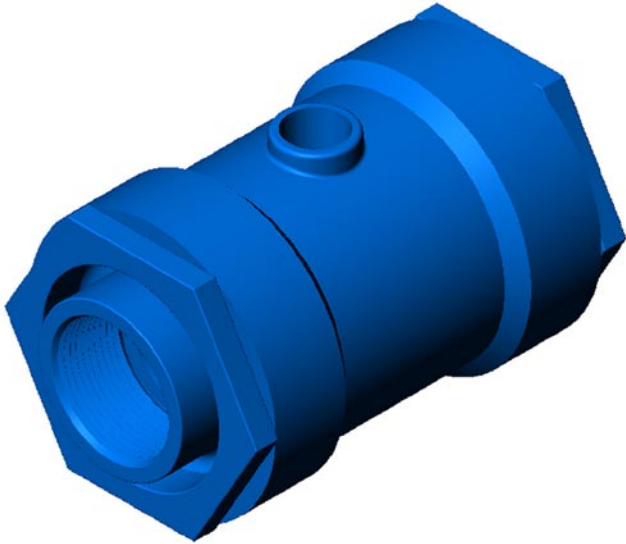


	Part #	Price	Description
Non-Food	AP-6796	\$68.00	AT-06-NF-B60-0606-P
Grade Buna	AP-6798	\$68.00	AT-06-NF-B60-0606-N
Non-Food	AP-6694	\$68.00	AT-06-NF-E30-0606-P
Grade EPDM	AP-6797	\$68.00	AT-06-NF-E60-0606-N
	AP-6795	\$68.00	AT-06-NF-E60-0606-P
	AP-6808	\$68.00	AT-06-NF-E60-0808-P
	AP-6277	\$25.00	AT-S-06-NF-B60
Replacement	AP-6321	\$25.00	AT-S-06-NF-E30
Sleeves	AP-6595	\$25.00	AT-S-06-NF-E60
	AP-6620	\$29.00	AT-S-06-NF-I60
	AP-6674	\$29.00	AT-S-06-NF-N60
	AP-6675	\$29.00	AT-S-06-NF-R60
	AP-6676	\$78.50	AT-S-06-NF-V65

# 1" Pinch Valves

Specifications:

Media Inlet: 1" (Ø8)  
 Media Outlet: 1" (Ø8)  
 Actuation Port: .25"  
 Valve Length: 5.5"  
 Valve Diameter: 3.5"



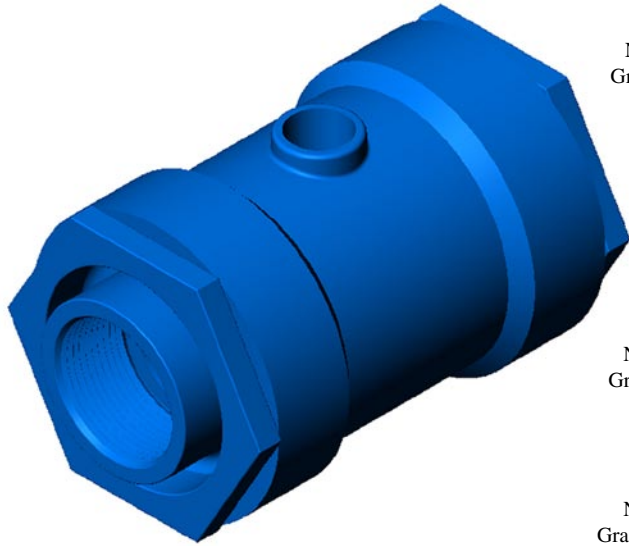
Non-Food	AP-6123	\$120.00	AT-08-NF-B60-0808-N
Grade Buna	AP-6131	\$120.00	AT-08-NF-B60-0808-P
	AP-6320	\$120.00	AT-08-NF-E30-0808-N
Non-Food	AP-6361	\$120.00	AT-08-NF-E30-0808-P
Grade EPDM	AP-6125	\$120.00	AT-08-NF-E60-0808-N
	AP-6133	\$120.00	AT-08-NF-E60-0808-P
Non-Food	AP-6322	\$123.00	AT-08-NF-I60-0808-N
Grade Silicon	AP-6363	\$123.00	AT-08-NF-I60-0808-P
Non-Food	AP-6323	\$123.00	AT-08-NF-N60-0808-N
Grade Neoprene	AP-6364	\$123.00	AT-08-NF-N60-0808-P
Non-Food	AP-6324	\$123.00	AT-08-NF-R60-0808-N
Grade Rubber	AP-6365	\$123.00	AT-08-NF-R60-0808-P
	AP-6973	\$147.00	AT-08-NF-R60W-0808-P
	AP-7003	\$147.00	AT-08-NF-R60W-0808-P
Non-Food	AP-6126	\$182.00	AT-08-NF-V65-0808-N
Grade Viton	AP-6134	\$182.00	AT-08-NF-V65-0808-P

	AP-6668	\$53.00	AT-S-08-NF-B60
	AP-6669	\$53.00	AT-S-08-NF-E30
Replacement	AP-6592	\$53.00	AT-S-08-NF-E60
Sleeves	AP-6956	\$56.00	AT-S-08-NF-I18
	AP-6670	\$56.00	AT-S-08-NF-I60
	AP-6671	\$56.00	AT-S-08-NF-N60
	AP-6672	\$56.00	AT-S-08-NF-R60
	AP-6673	\$115.00	AT-S-08-NF-V65

# 1 1/4" Pinch Valves

Specifications:

Media Inlet: 1.25" (10)  
 Media Outlet: 1.25" (10)  
 Actuation Port: .25"  
 Valve Length: 5.5"  
 Valve Diameter: 3.5"



	Part #	Price	Description
Non-Food Grade EPDM  Non-Food Grade Silicon  Non-Food Grade Neoprene  Non-Food Grade Rubber  Non-Food Grade Viton   Replacement Sleeves	AP-6717	\$120.00	AT-10-NF-B60-1010-N
	AP-6711	\$120.00	AT-10-NF-B60-1010-P
	AP-6730	\$120.00	AT-10-NF-E30-1010-N
	AP-6729	\$120.00	AT-10-NF-E30-1010-P
	AP-6716	\$120.00	AT-10-NF-E60-1010-N
	AP-6710	\$120.00	AT-10-NF-E60-1010-P
	AP-6777	\$123.00	AT-10-NF-I60-1010-N
	AP-6735	\$123.00	AT-10-NF-I60-1010-P
	AP-6778	\$123.00	AT-10-NF-N60-1010-N
	AP-6736	\$123.00	AT-10-NF-N60-1010-P
	AP-6779	\$123.00	AT-10-NF-R60-1010-N
	AP-6737	\$123.00	AT-10-NF-R60-1010-P
	AP-6974	\$147.00	AT-10-NF-R60W-0808-P
	AP-6718	\$182.00	AT-10-NF-V60-1010-N
	AP-6712	\$182.00	AT-10-NF-V60-1010-P
	AP-6714	\$53.00	AT-S-10-NF-B60
	AP-6721	\$53.00	AT-S-10-NF-E30
AP-6713	\$53.00	AT-S-10-NF-E60	
AP-6738	\$56.00	AT-S-10-NF-I60	
AP-6739	\$56.00	AT-S-10-NF-N60	
AP-6776	\$56.00	AT-S-10-NF-R60	
AP-6715	\$115.00	AT-S-10-NF-V60	



# 1 1/2" Pinch Valves

Specifications:

Media Inlet: 1.5" (12)  
 Media Outlet: 1.5" (12)  
 Actuation Port: .375"  
 Valve Length: 7"  
 Valve Diameter: 4.375"

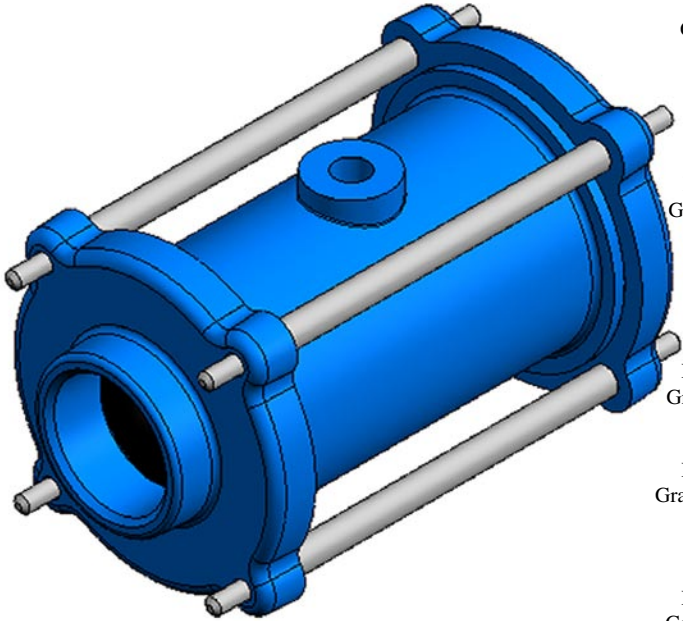


	Part #	Price	Description	
Non-Food Grade	Buna AP-7009	\$152.00	AT-12-NF-B60-1212-N	
	AP-7006	\$152.00	AT-12-NF-B60-1212-P	
	EPDM AP-7010	\$152.00	AT-12-NF-E60-1212-N	
	AP-7007	\$152.00	AT-12-NF-E60-1212-P	
	Silicon AP-7025	\$156.00	AT-12-NF-I60-1212-N	
	AP-7024	\$156.00	AT-12-NF-I60-1212-P	
	Neoprene AP-7027	\$156.00	AT-12-NF-N60-1212-N	
	AP-7026	\$156.00	AT-12-NF-N60-1212-P	
	Rubber AP-7031	\$156.00	AT-12-NF-R60-1212-N	
	AP-7030	\$156.00	AT-12-NF-R60-1212-P	
	AP-7023	\$198.00	AT-12-NF-R60W-1212-N	
	AP-6999	\$198.00	AT-12-NF-R60W-1212-P	
	Viton AP-7029	\$223.00	AT-12-NF-V65-1212-N	
	AP-7028	\$223.00	AT-12-NF-V65-1212-P	
	Replacement Sleeves	AP-7015	\$64.00	AT-S-12-NF-B60
		AP-7016	\$64.00	AT-S-12-NF-E60
		AP-7017	\$68.00	AT-S-12-NF-I60
		AP-7018	\$68.00	AT-S-12-NF-N60
		AP-7020	\$68.00	AT-S-12-NF-R60
	AP-7021	\$110.00	AT-S-12-NF-R60W	
	AP-7019	\$135.00	AT-S-12-NF-V60	

# 2” Pinch Valves

Specifications:

Media Inlet: 2” (16)  
 Media Outlet: 2” (16)  
 Actuation Port: .375”  
 Valve Length: 9.5”  
 Valve Diameter: 5.25”



	Part #	Price	Description
Non-Food Grade Buna	AP-6603	\$294.00	AT-16-NF-B60-1616-P
Non-Food Grade EPDM	AP-6604	\$294.00	AT-16-NF-E30-1616-P
	AP-6605	\$294.00	AT-16-NF-E60-1616-P
Non-Food Grade Silicon	AP-6606	\$302.00	AT-16-NF-I60-1616-P
Non-Food Grade Neoprene	AP-6607	\$302.00	AT-16-NF-N60-1616-P
Non-Food Grade Rubber	AP-6608	\$302.00	AT-16-NF-R60-1616-P
	AP-7005	\$355.00	AT-16-NF-R60W-1616-P
Non-Food Grade Viton	AP-6609	\$740.00	AT-16-NF-V65-1616-P
	AP-6635	\$84.00	AT-S-16-NF-B60
	AP-6637	\$84.00	AT-S-16-NF-E30
	AP-6636	\$84.00	AT-S-16-NF-E60
Replacement Sleeves	AP-6638	\$92.00	AT-S-16-NF-I60
	AP-6639	\$92.00	AT-S-16-NF-N60
	AP-6640	\$92.00	AT-S-16-NF-R60
	AP-6983	\$145.00	AT-S-16-NF-R60W
	AP-6641	\$530.00	AT-S-16-NF-V65

# Pinch Valve Body Replacements



AP-6007	\$86.00	AT-B-02-A
AP-6015	\$12.75	AT-B-02-N
AP-6022	\$12.75	AT-B-02-P
AP-6917	\$111.00	AT-B-02-S
AP-6042	\$92.00	AT-B-03-A
AP-6059	\$20.00	AT-B-03-N
AP-6051	\$20.00	AT-B-03-P
AP-6920	\$138.00	AT-B-03-S
AP-6561	\$123.00	AT-B-05-A
AP-6088	\$23.00	AT-B-05-N
AP-6119	\$23.00	AT-B-05-P
AP-6929	\$178.00	AT-B-05-S
AP-6935	\$166.00	AT-B-08-A
AP-6128	\$37.00	AT-B-08-N
AP-6136	\$37.00	AT-B-08-P
AP-6938	\$236.00	AT-B-08-S
AP-6188	\$166.00	AT-B-10-A
AP-6720	\$37.00	AT-B-10-N
AP-6719	\$37.00	AT-B-10-P
AP-6941	\$236.00	AT-B-10-S
AP-7032	\$47.00	AT-B-12-N
AP-7001	\$47.00	AT-B-12-P
AP-6616	\$372.00	AT-B-16-A
AP-6610	\$72.00	AT-B-16-P
AP-6944	\$484.00	AT-B-16-S

# Pinch Valve Cap Replacements



AP-6008	\$28.00	AT-C-02-02-A
AP-6111	\$3.75	AT-C-02-02-N
AP-6023	\$3.75	AT-C-02-02-P
AP-6919	\$37.00	AT-C-02-02-S
AP-6044	\$31.00	AT-C-03-02-A
AP-6443	\$7.50	AT-C-03-02-N
AP-6489	\$7.50	AT-C-03-02-P
AP-6924	\$47.00	AT-C-03-02-S
AP-6043	\$31.00	AT-C-03-03-A
AP-6060	\$7.50	AT-C-03-03-N
AP-6052	\$7.50	AT-C-03-03-P
AP-6925	\$47.00	AT-C-03-03-S
AP-6688	\$10.00	AT-C-05-04-N
AP-6686	\$10.00	AT-C-05-04-P
AP-6089	\$10.00	AT-C-05-06-N
AP-6120	\$10.00	AT-C-05-06-P
AP-6933	\$60.00	AT-C-05-06-S
AP-6928	\$41.00	AT-C-05-08-A
AP-6090	\$10.00	AT-C-05-08-N
AP-6121	\$10.00	AT-C-05-08-P
AP-6934	\$60.00	AT-C-05-08-S
AP-6937	\$55.00	AT-C-08-08-A
AP-6129	\$15.00	AT-C-08-08-N
AP-6137	\$15.00	AT-C-08-08-P
AP-6940	\$79.00	AT-C-08-08-S
AP-6189	\$55.00	AT-C-10-10-A
AP-6732	\$15.00	AT-C-10-10-N
AP-6734	\$15.00	AT-C-10-10-P
AP-6943	\$79.00	AT-C-10-10-S
AP-7002	\$20.50	AT-C-12-12-P--FNPT disk& ring
AP-7033	\$20.50	AT-C-12-12-N--FNPT disk& ring
AP-6613	\$45.00	AT-C-16-16-P