

Max Actuation Pressure 90psi

CV Value 300

Available Sleeve Materials:

- Buna
- EPDM 30
- EPDM 60
- Silicone 120 -Gray
- Silicone 135 -Blue
- Silicone 160 -Black
- NSF51 Silicone
- Neoprene
- Natural Rubber -Black
- Natural Rubber -White

3/8" NPT  
Actuation Port

2" NPT  
Media Inlet

1.5"  
sleeve i.d.

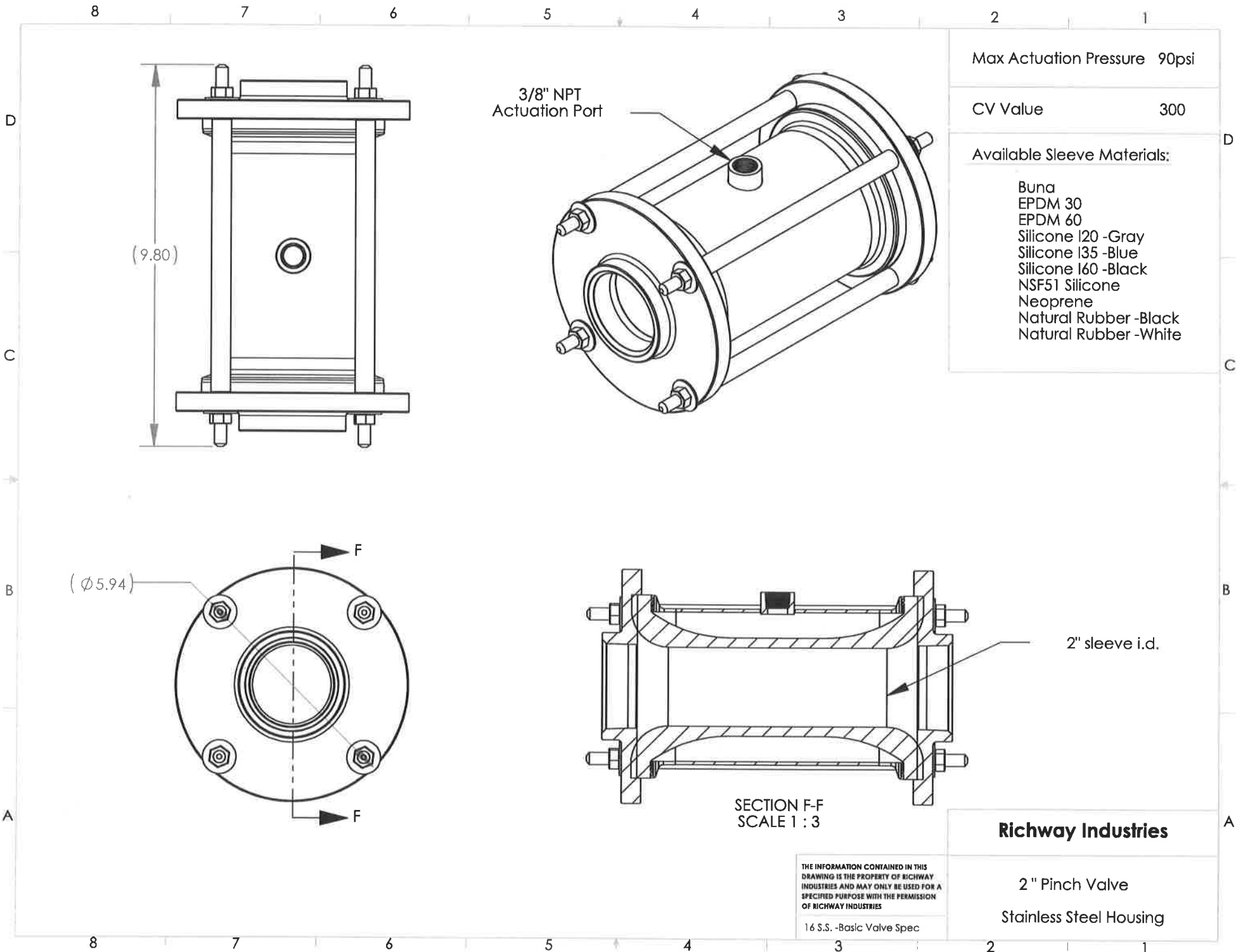
SECTION G-G  
SCALE 1 : 3

**Richway Industries**

2" Pinch Valve  
Polypropylene & Nylon Housing

THE INFORMATION CONTAINED IN THIS  
DRAWING IS THE PROPERTY OF RICHWAY  
INDUSTRIES AND MAY ONLY BE USED FOR A  
SPECIFIED PURPOSE WITH THE PERMISSION  
OF RICHWAY INDUSTRIES

16 Plastic -Basic Valve Spec



Max Actuation Pressure 90psi

CV Value 300

Available Sleeve Materials:

- Buna
- EPDM 30
- EPDM 60
- Silicone 120 -Gray
- Silicone 135 -Blue
- Silicone 160 -Black
- NSF51 Silicone
- Neoprene
- Natural Rubber -Black
- Natural Rubber -White

3/8" NPT  
Actuation Port

(9.80)

( $\phi$ 5.94)

2" sleeve i.d.

SECTION F-F  
SCALE 1 : 3

**Richway Industries**

2" Pinch Valve  
Stainless Steel Housing

THE INFORMATION CONTAINED IN THIS  
DRAWING IS THE PROPERTY OF RICHWAY  
INDUSTRIES AND MAY ONLY BE USED FOR A  
SPECIFIED PURPOSE WITH THE PERMISSION  
OF RICHWAY INDUSTRIES

16 S.S. -Basic Valve Spec

8

7

6

5

4

3

2

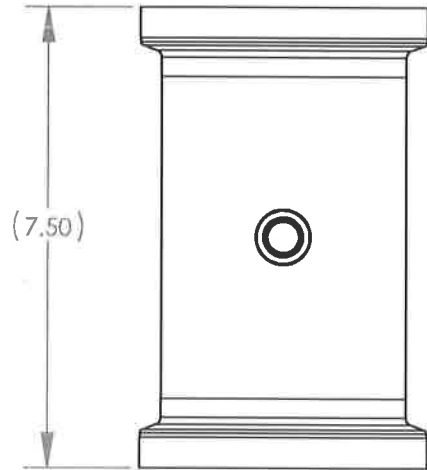
1

D

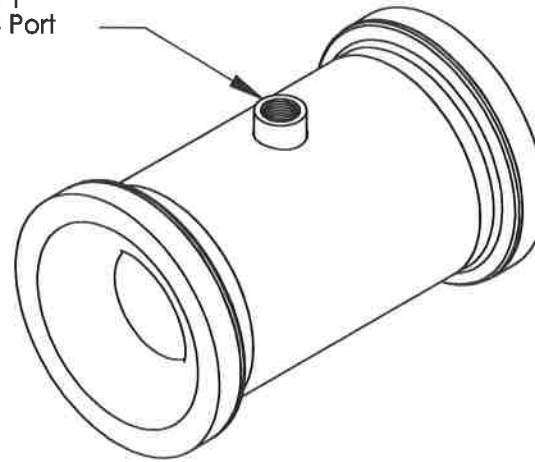
C

B

A



3/8" NPT Actuation Port



Max Actuation Pressure 90psi

CV Value 300

Available Sleeve Materials:

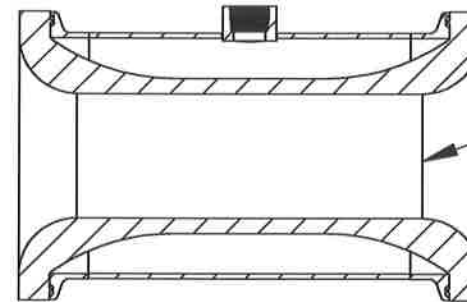
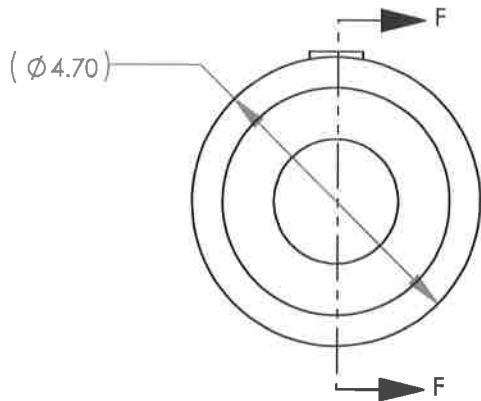
- Buna
- EPDM 30
- EPDM 60
- Silicone I20 -Gray
- Silicone I35 -Blue
- Silicone I60 -Black
- NSF51 Silicone
- Neoprene
- Natural Rubber -Black
- Natural Rubber -White

D

C

B

A



SECTION F-F  
SCALE 1 : 3

THE INFORMATION CONTAINED IN THIS DRAWING IS THE PROPERTY OF RICHWAY INDUSTRIES AND MAY ONLY BE USED FOR A SPECIFIED PURPOSE WITH THE PERMISSION OF RICHWAY INDUSTRIES

16 Sanitary -Basic Valve Spec

**Richway Industries**

2" Pinch Valve  
Sanitary Style Housing

8

7

6

5

4

3

2

1