

Thank you for purchasing an TracRite™ foam marking system. By following this installation, use and maintenance guide carefully, your unit will provide years of reliable service.

Richway Industries Ltd. makes a continued effort to improve its products. As such, we reserve the right to make design changes without obligations to add them to machines already in the field.

Please take a moment to fill out the following for future reference:

Model #: _____

Serial #: _____

Date of Purchase: _____

Purchased From: _____

Table of Contents

Safety First	Page 3
Installation	Page 5
Tank & Power Unit Assembly	6
Foamheads	6
Foamhead Tubing	7
Drop Hose	8
Foam Streamers	8
Collector Deflectors	9
Switch Plate	9
Wiring	10
Operation	Page 12
Compressor Check	12
Mixing Foam	12
Filling the Tank	13
Flow Control Valve	14
Maintenance	Page 15
Air Filters	16
Foamheads & Screen-Strainer	16
Tank and Hoses	16
Winterization	17
Trouble Shooting	Page 18
Appendices	Page 19
Power Unit Parts	19
Wiring Diagram	21
Warranty	Page 23

SAFETY FIRST



IMPORTANT

Do not operate without reading and understanding
this owners manual



Caution: To reduce the risk of explosion or fire

- This foam marker is designed to operate off of a 12volt DC power supply only.
- Do not attempt to operate machine without covers in place.
- Never operate this machine with a damaged electrical cord. Disconnect from electrical supply if machine is not working properly or cord is damaged.
- Disassembly or attempted repairs, if accomplished incorrectly can create electrical shock and/or short hazards. Only qualified personnel should perform repair service.
- Do not remove covers or attempt repairs while connected to electrical source.
- Never attempt to replace electrical wires and cables with smaller gauge or inferior wire and cable.
- Do not attempt to operate this machine with out the appropriate fuse in place.
- Do not attempt to bypass fuse. If fuse is no longer serviceable, a real shock or short hazard may exist.
- Never replace original fuse with a higher amperage fuse.
- Inspect all components for damage after any electrical problem.
- Never operate this product in or near explosive atmospheres or where aerosol (spray) products are being used.
- Do not use air compressor to pump anything other than atmospheric air.
- Do not pump combustible liquids or vapors with this product or use in or near an area where flammable or explosive liquids or vapors may exist.
- Do not use this product near flames.



Caution: To prevent Injury

- Never operate machine while unattended.
- Inspect machine for damage after use.
- Close supervision is necessary when this product is used near children or invalids.
- Never allow children to operate this machine.
- All electrical components generate heat. To avoid serious burns never touch internal components immediately after use.
- The air compressor in this unit may be thermally protected and may automatically restart when the protector resets. Always disconnect power source before servicing.
- Wear safety goggles and all proper clothing when operating, servicing or refilling this machine. Always read and follow manufacturer recommendations when handling any chemicals.
- Richway foam markers are designed to operate at low pressure. Personal injury may result when air pressure exceeds 15 psi.
- Do not attempt, for any reason, to remove tank cap while machine is turned on.
- After machine is turned off pressure may remain in the system. Remove tank cap slowly allowing pressure to exhaust.
- Agricultural chemical mist or liquid or liquid can cause permanent eye, skin or lung damage or death. Always wear proper protective clothing, goggles, aspirator, gloves or other protective garments as recommended by the labels of the chemicals used.

INSTALLATION

To install TracRite foam markers, several components must be connected. Every application may be slightly different. The following is a guide to help you choose the best locations for installing its components.

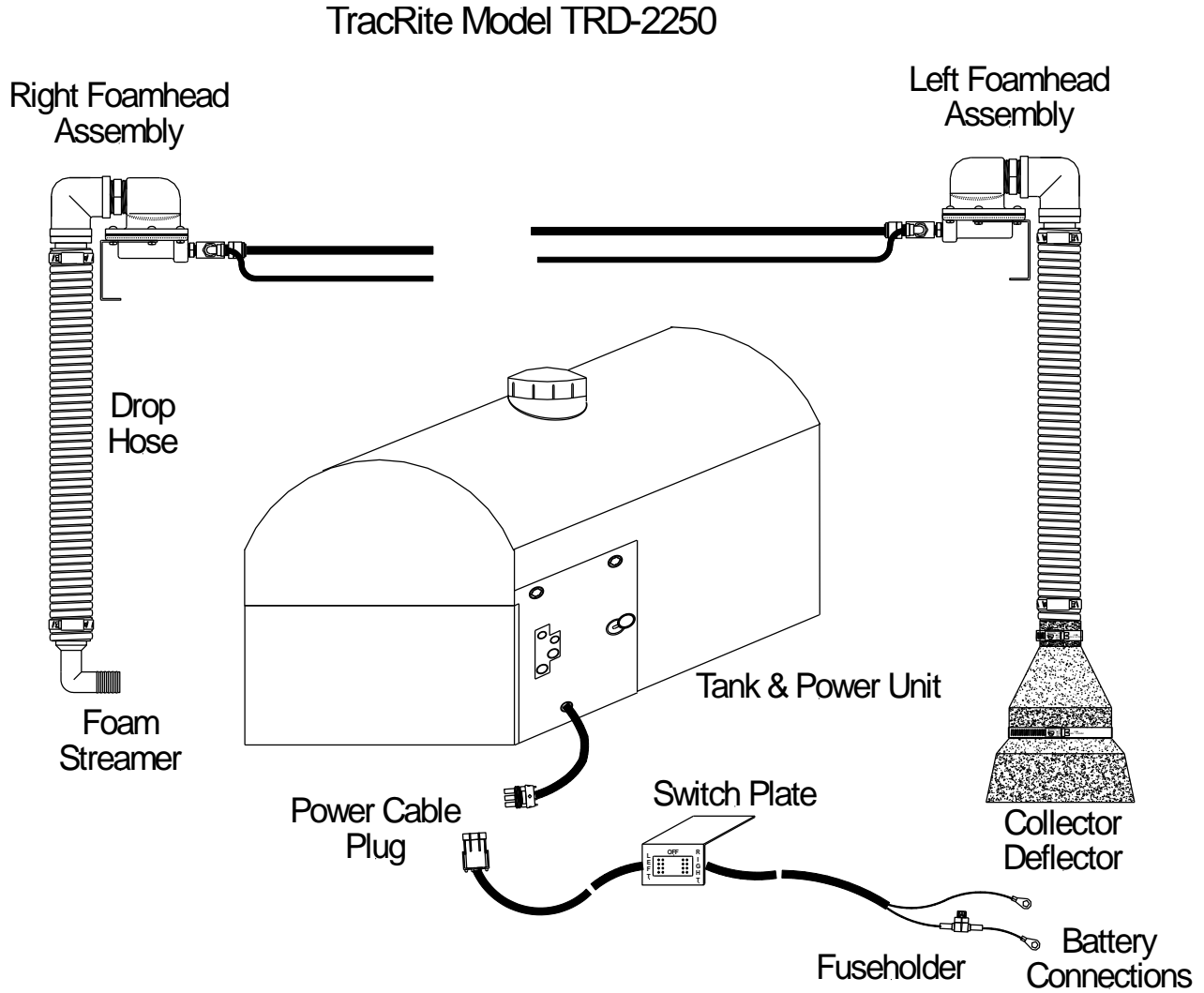


FIGURE 1 – Trac Rite Model TRD-2250 Foam Marker

TANK & POWER UNIT ASSEMBLY

When considering a location for mounting the tank and power unit assembly, it will be important that the assembly is accessible for easy filling. The TracRite tank is designed to be mounted to a horizontal frame member or platform with four 3/8" molded brass inserts located on the bottom of the tank. The assembly should be attached to a platform or frame using 3/8" bolts of an appropriate length, with flat washers and lock washers.

It is best if the assembly is mounted in a contaminant free area to insure an efficient, trouble-free compressor. If the assembly is mounted outside, regular cleaning of the compressor filter is necessary. See Appendix 1 for additional Power Unit diagrams.

FOAMHEADS™

Foamheads are mounted at the end of the spray boom. If mounting a single-drop unit, mount the foamhead in a convenient location as needed. Mount foamhead assemblies on boom tubing with the u-bolts provided. Install 1 1/4" male by 1 1/2" hose barb straight fittings onto foamhead elbows. Ideally, the foamheads should be mounted one half the distance of your nozzle spacing beyond the last spray nozzle.

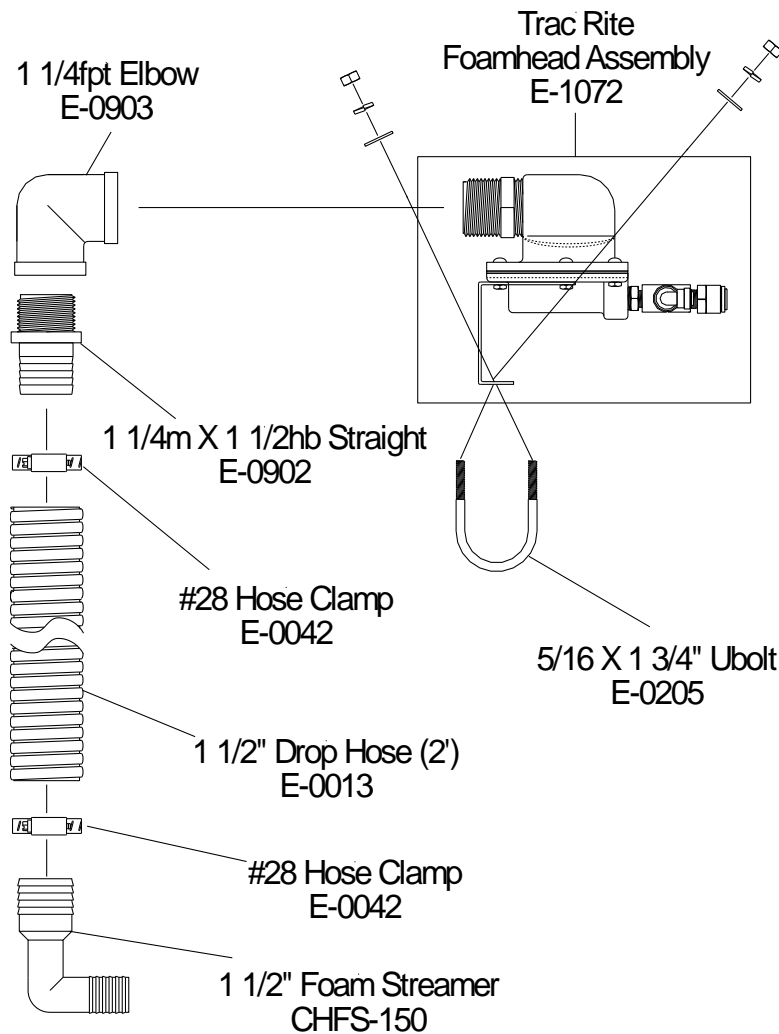


FIGURE 2 - TRACRITE Foam Head and Boom End Assembly

FOAMHEAD TUBING

Route one 3/8" and one 1/4" poly tube from each foamhead assembly to the power unit. See Figure 3 for dual drop configuration and Figure 4 for single drop configuration. The 3/8" line routes the air to the foamhead and the 1/4" line routes the liquid to the foamhead. Beginning at the end of your boom, attach the tubing using nylon cable ties, provided, to secure the tubing at 3 to 6 foot intervals. These ties assure a positive clamping without damaging the tubing. Be sure to leave enough slack at the hinge to fold and extend the spray boom. Repeat this procedure for the other 1/2 of your boom.

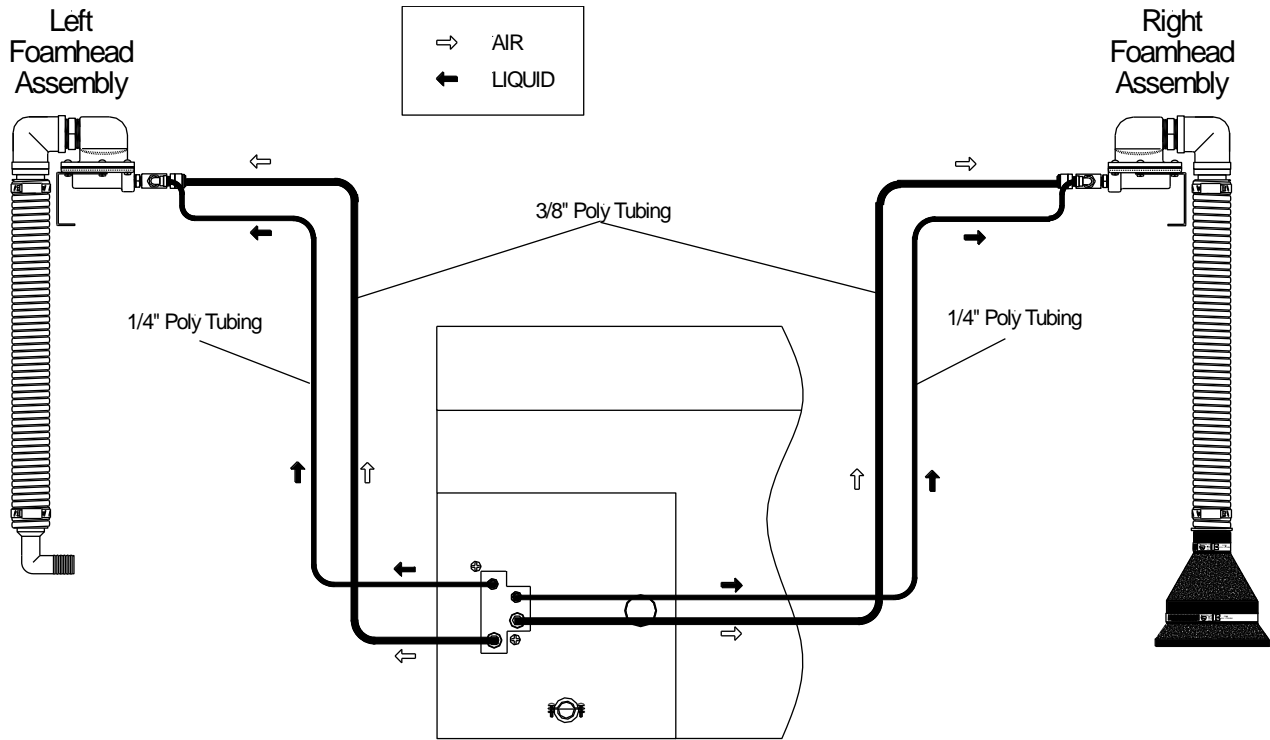


FIGURE 3 - TRACRITE Liquid and Air Flow

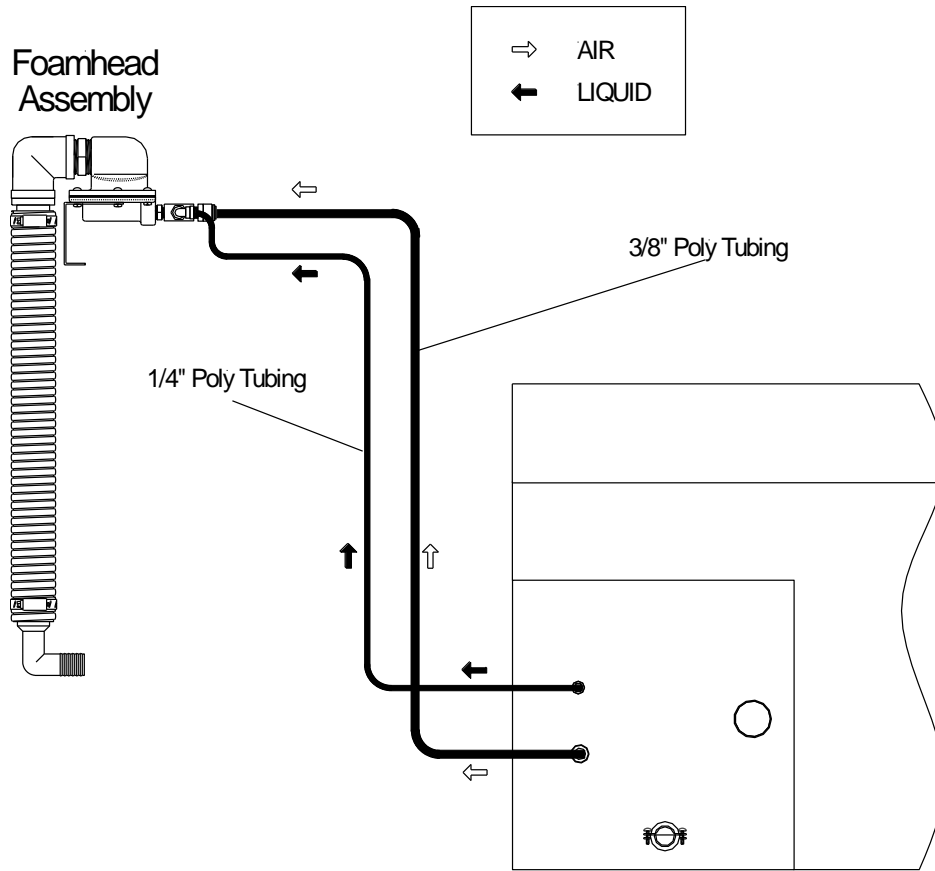


FIGURE 4 - TRACRITE-SINGLE DROP- Liquid and Air Flow

DROP HOSE

After the foamhead and boom end assemblies are in place, the 1 ½" drop hoses are secured onto the foamhead assembly with the #28 hose clamps provided. See Figure 2 and 3. The drop hoses should be trimmed so the discharge end is left approximately 1 foot above the ground or to desired length. If Collector Deflectors are to be used, it may be desirable to trim drop hoses higher. This will prevent loss of the collectors from impact with the ground.

FOAM STREAMERS™

Neon Orange Foam Streamers are standard equipment with all TRACRITE foam markers. See Figure 2. When placed on the drop hose, these attachments produce a stream of foam. This will be particularly effective in “over the top” post emergent crop conditions.

COLLECTOR DEFLECTORS

Collector Deflectors are standard equipment on TRACRITE foam markers. Collector Deflectors, when attached to the drop hose, will produce a larger, denser foam ball. The resulting foam ball will be more visible due to its size, and will last longer on the ground. However, the heavier foam from Collector Deflectors normally will not stay on top of vegetation when post-emergent spraying. You may choose to remove the Collector Deflectors and install foam streamers, under these conditions.

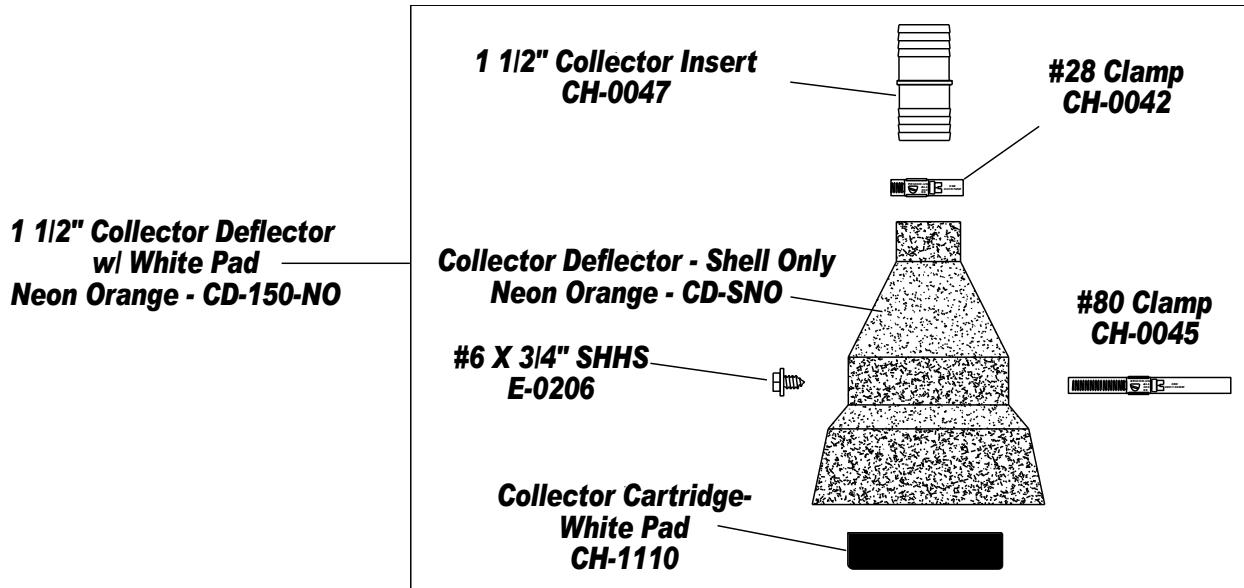


FIGURE 5 - Collector Deflector

SWITCH PLATE

Mount the switch plate in a location convenient to the operator. TRACRITE foam markers are equipped with an electrical plug assembly. This plug assembly allows for easy separation of the switch plate from the power unit. After the switch plate and power unit are installed, connect the plug assembly.

WIRING

CAUTION

- This machine is designed to operate off of a 12 volt DC power supply only
- Do not operate this machine without covers in place.
- Never operate this machine with a damaged electrical cable.
- Only qualified personnel should perform repair service.
- Do not remove covers or attempt repairs while connected to electrical source.
- Never attempt to replace electrical wires and cables with smaller gauge or inferior products.
- Do not operate machine without the appropriate fuse.
- Do not attempt to bypass fuse.
- Never replace fuse with a higher amperage fuse.
- Inspect all components for damage after any electrical problem.
- Never operate this machine in or near explosive atmosphere or where aerosol products are used.

To prevent accidental grounding of circuit, do not connect two-wire battery cable until all other connections have been made and checked for accuracy. If a greater length of wiring cable is needed, extension cables are available. When adding wire, be sure to use wire of the same or larger gauge. Using smaller wire can cause poor performance, blown fuses, and rapid compressor motor failure.

Route the two-wire battery cable from the switch okate to the battery. Be sure it is out of the way and secure it using plastic coated clamps to prevent damage from rubbing off insulation by sharp edges. The white wire of the battery cable should be attached directly to the positive (+) post of the battery by use of the cable mounting bolt. The black wire of the battery cable should be attached directly to the negative (-) mounting bolt. Check all connections for accuracy before completing battery connections.

NOTE: TRACRITE foam markers normally draw 8-10 amperes.

When connecting to an electrical system with two 6-volt batteries wired in series, be certain to connect the battery terminals so that a full 12 volts is supplied. If connected to 6 volts, the compressor will run slowly and the foam switching valve will not operate correctly.

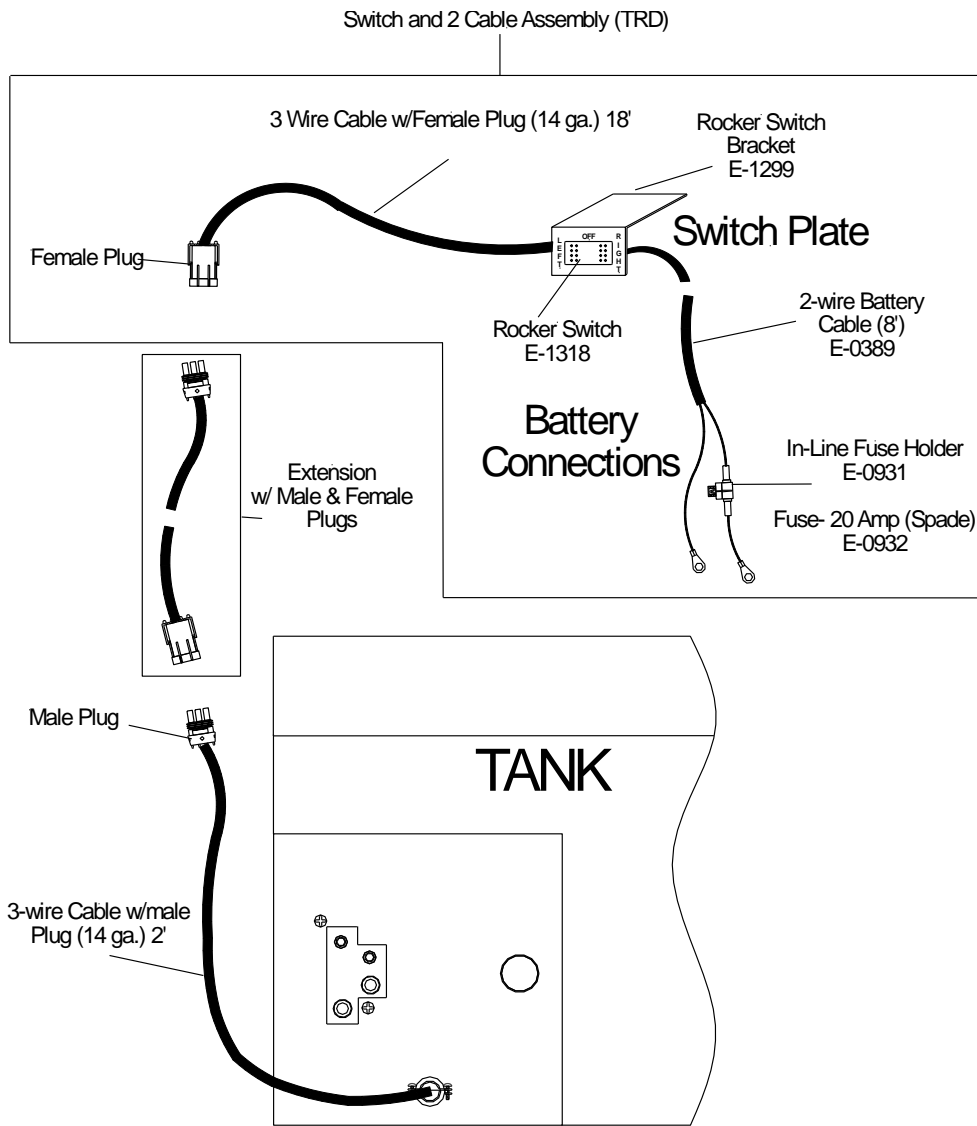


FIGURE 6 – TRACRITE Wiring

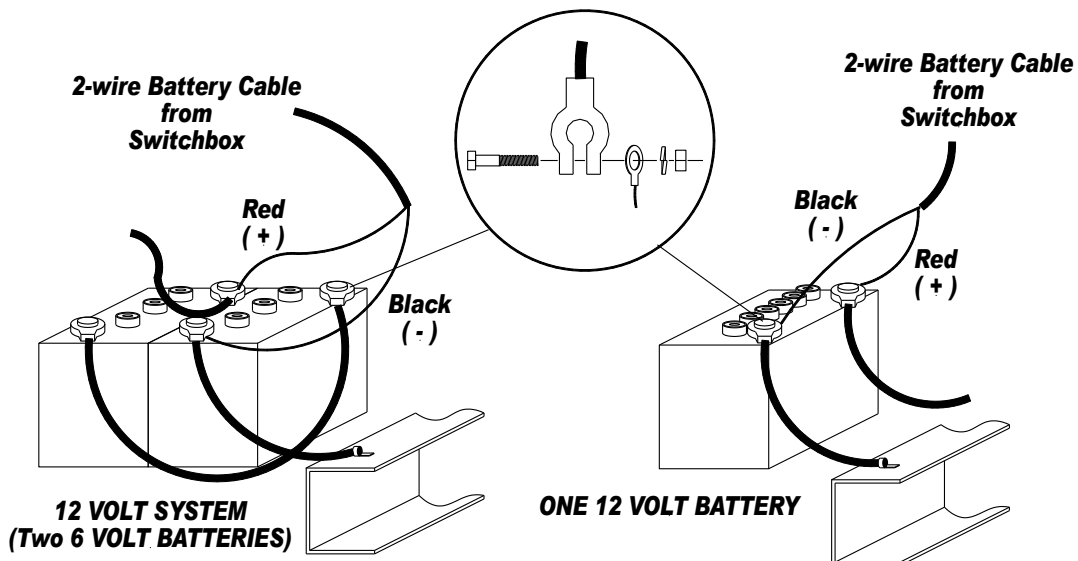


FIGURE 7 - TRACRITE Battery Connections

OPERATION



CAUTION

- Do not attempt to operate machine without covers in place.
- Never operate machine while unattended.
- Inspect machine for damage after use.
- Close supervision is necessary when this product is operated near children or invalids.
- Never allow children to operate this machine.
- Wear safety goggles and all proper clothing when operating, servicing or refilling this machine.
- Agricultural chemical mist or liquid can cause permanent eye, skin or lung damage or death.
- Always read and follow manufacturer recommendations when handling any chemical.
- Never operate this product in or near explosive atmospheres or where aerosol products are being used.
- Do not use air compressor to pump anything other than atmospheric air.
- Do not pump combustible liquids or vapors with this product or use in or near an area where flammable or explosive liquids or vapors may exist.
- Do not use this product near flames.
- The foam tank is pressurized with air from the compressor. Do not attempt, for any reason, to remove tank cap while machine is turned on.
- After machine is turned off pressure remains in the system. Remove tank cap slowly to allow pressure to exhaust.

COMPRESSOR CHECK

After checking all wiring for accuracy, turn switch box to the "on" position and check that air is flowing out of the compressor.

MIXING FOAM

Foam mixing takes some experience. Different water sources may require different amounts of concentrate to obtain the desired foam density. Crop conditions, water hardness, pH, and impurities will all affect the rate of concentrate required for a consistent, long-lasting foam.

Different cropping conditions may require different mixing ratios to produce desirable results. Bare ground or post-emergent spraying generally requires a wet, heavy foam that will cling to your overturned palm. When spraying over small grain stubble, a stiff, dry foam is usually desired.

NOTE: It is worthwhile to determine the proper foam/water mixing ratios for your water source with the initial filling. Doing so will save time in the future and aid in consistent foam quality.

If hard water is a problem, commercial softening agents are available. You can make your own softening agent by dissolving a commercial water softening powder (available in most grocery stores) in hot water and adding a portion of this mixture to your tank each time you

fill. Experimentation will reveal the correct amount to use. A good starting point is one and one half ounces per gallon of water.

Mix ratios for foam concentrates advertised as 80:1 or 160:1 must be adjusted for use with your water, such ratios are only a guideline.

NOTE: When mixing foam, warm water will improve TRACRITE performance.

Heat, humidity, wind and crop cover will also affect the life of foam. Using a good quality marking agent, such as GOODMARK, may be very important.

GOODMARK premium life, " hot weather" foam concentrate, up to one hour life in cooler weather, 20-40 minutes in hot weather, good hard water tolerance.

FILLING THE TANK

CAUTION

- Do not attempt, for any reason, to remove tank cap assembly while unit is in operation.
- After machine is turned off, pressure may remain in the system. Remove tank cap slowly to allow pressure to exhaust.
- Wear safety goggles and all proper clothing when operating, servicing or refilling this machine.
- Always read and follow manufacturers recommendations when handling any chemical.
- Do not pump combustible liquids or vapors with this product.

1. BE SURE POWER UNIT IS TURNED OFF. Remove the cap from the top of the tank.

CAUTION! Remove tank cap slowly, to exhaust any pressure that may be present.

2. Starting with a small amount of water (2 gal), mix the foam concentrate according to the label directions. If considerably more concentrate is needed above the manufacturer's suggested ratio (usually 2-5 ounces per gallon) to produce good foam, use of a softener or soft water may be required. If the foam is too stiff (dry), it may surge out at irregular intervals. Under this condition, water should be added until the foam becomes more wet.

3. With the mixing ratio determined, fill the tank leaving about 4 inches of air space at the top of the tank. No agitation is present in the tank. You may find it necessary to partially fill the tank, add the foam concentrate. Then completely fill the tank.

4. Replace cap at the top of the tank.

FLOW CONTROL VALVE

The flow control valve regulates the amount of foam solution flowing to the foam heads. To increase liquid flow, turn the adjusting knob counter-clockwise. This valve has been factory preset at 2 ½ turns open. This setting provides for a moderate foam output.

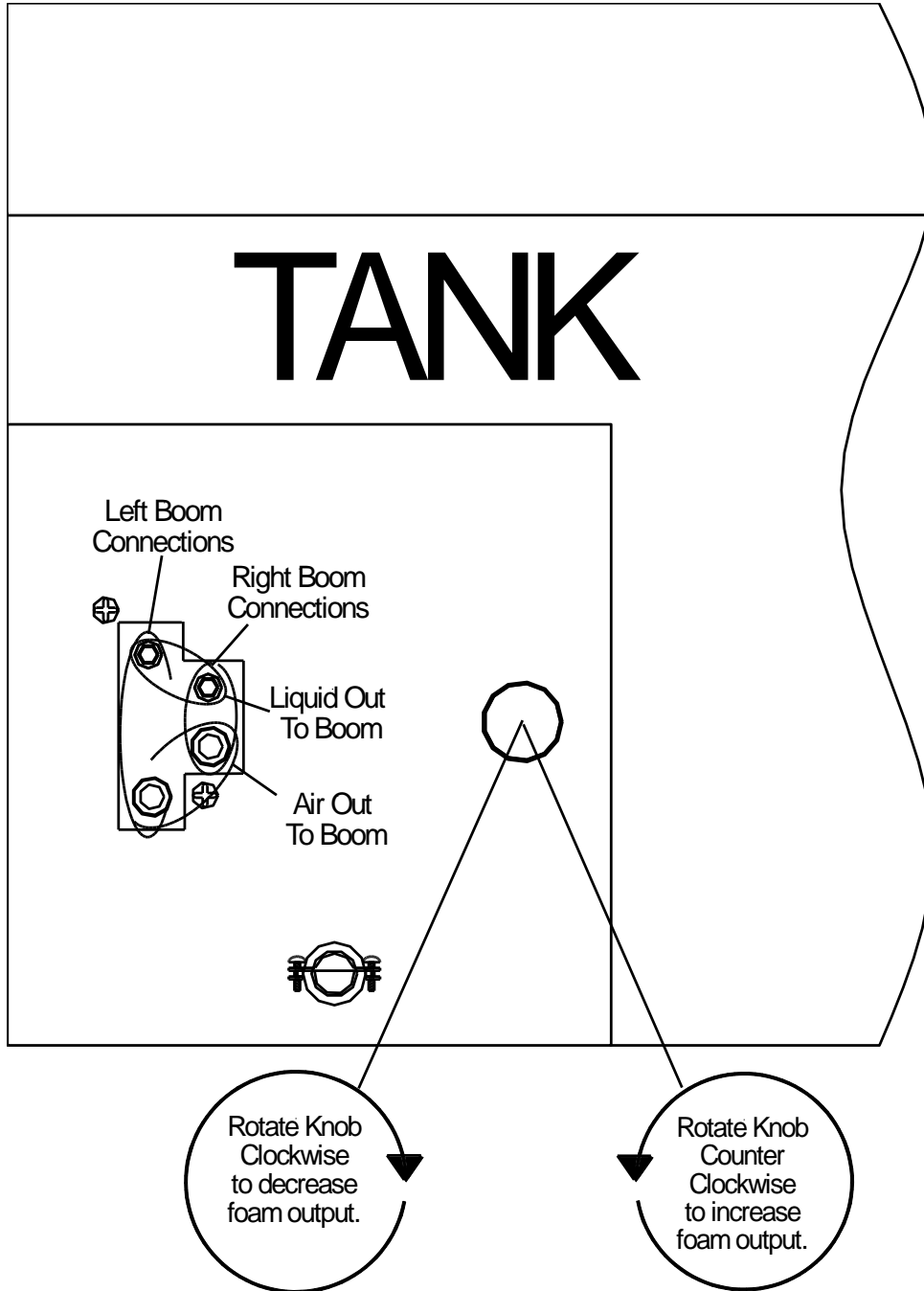


FIGURE 8 – TRACRITE Flow Control Valve Adjustment and Air/Liquid Connections

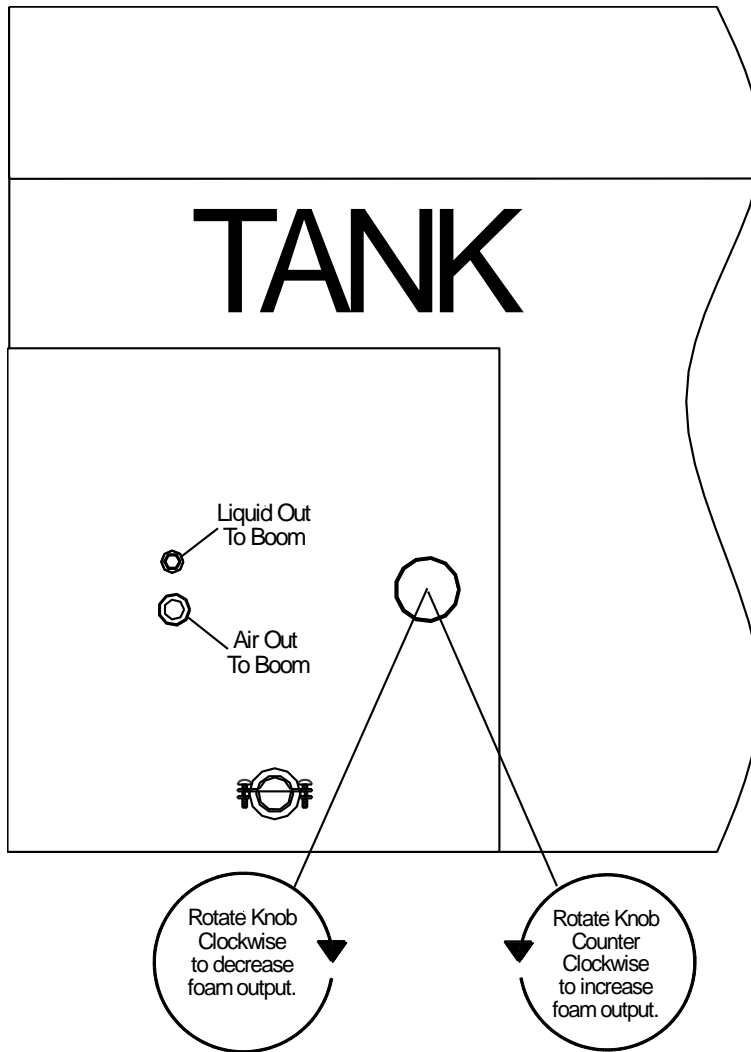


FIGURE 9 – TRACRITE-SINGLE DROP- Flow Control Valve Adjustment and Air/Liquid Connections

MAINTENANCE



CAUTION

- All electrical components generate heat. To avoid serious burns, never touch internal components immediately after use.
- The air compressor in this unit may be thermally protected and may automatically restart when the protector resets. Always disconnect power source before servicing.
- Wear goggles and all protective clothing when operating, servicing or refilling this machine. Always read and follow manufacturer recommendations when handling any chemical.
- Do not remove covers or attempt repairs while connected to electrical source.
- Disassembly or attempted repairs, if accomplished incorrectly, can create hazards. Only qualified personnel should perform repair service.

AIR FILTERS

Richway TRACRITE foam marking systems need little maintenance, but regular routine cleaning of filters is essential. Every 40 operating hours, or more often if extremely dusty, remove the compressor intake filter (See Appendix 1) and clean it by back blowing through the fitting with air pressure up to 80 psi.

The air intake filters must be kept clean. Dirty filters prevent proper operation of the marking system and will overload the motor. This will blow fuses and possibly lead to compressor failure. Compressor filters must be replaced periodically.

FOAMHEADS AND SCREEN/STRAINER

The foamheads have been designed so that the elements inside may be cleaned as necessary. The screens inside this unit should be washed periodically with hot water (See Figure 8).

The screen/strainer located in the tank should be checked occasionally to insure sufficient liquid flow to the foamhead assemblies (See Appendix 1).

TANK AND HOSES

At the end of the season flush the tank with warm water. Check the airlines and liquid lines for holes and replace as required. **Be sure to flush, then drain, all liquid from the system prior to storage in freezing temperatures.**

IMPORTANT

The liquid lines and tank must be drained completely prior to storage. If liquid in this system is allowed to freeze, several components may be damaged.

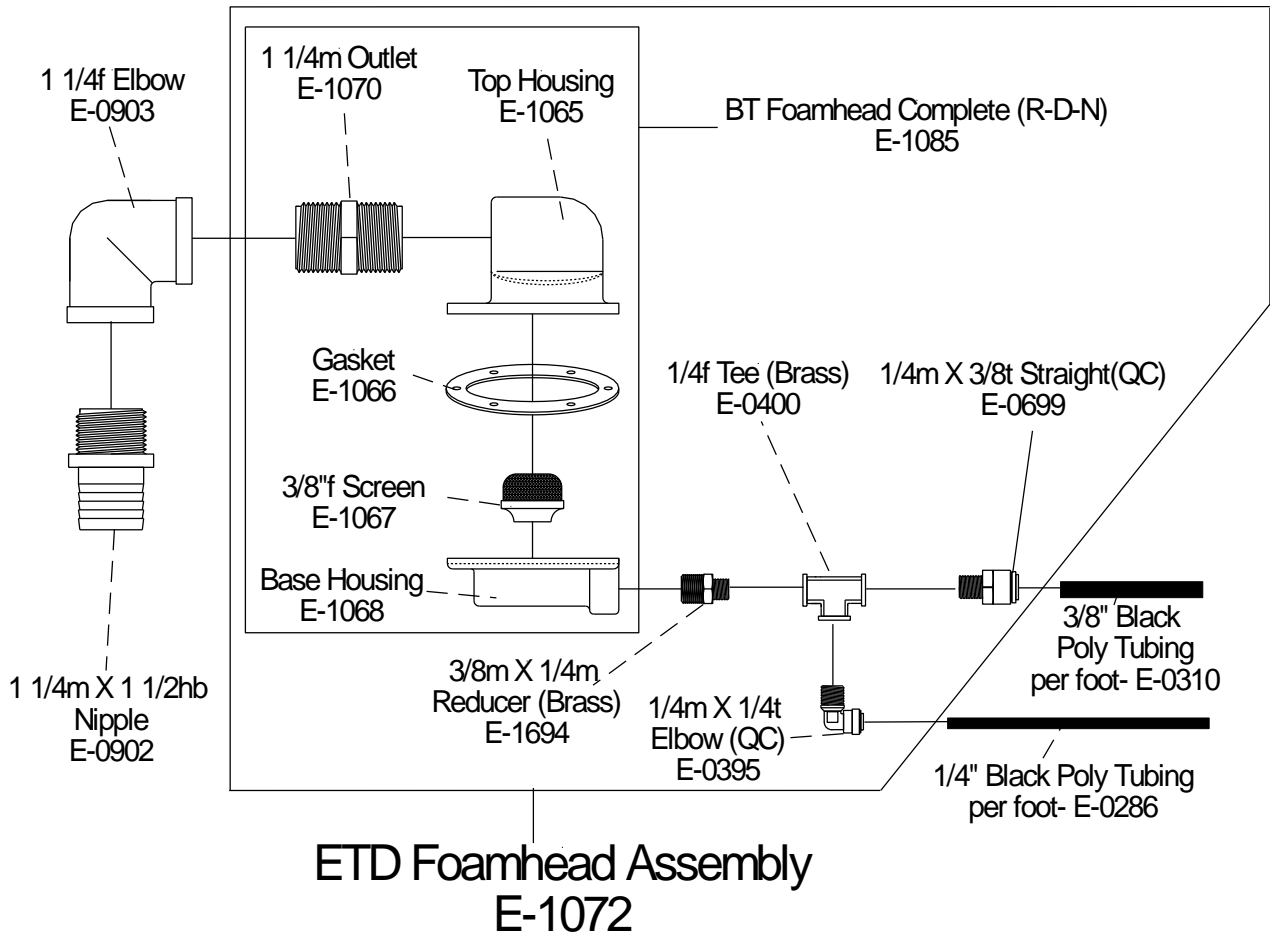


FIGURE 10 - TRACRITE Foam Head

WINTERIZATION

The liquid lines and tank must be drained completely prior to storage. If liquid in this system is allowed to freeze, several components may be damaged. Follow the procedure below to prevent component damage.

1. Remove the in-line filter bowl at the bottom of the tank and completely flush the tank with warm water.
2. Replace in-line filter. Turn on machine and allow to operate until no foam is generated.
3. Add anti-freezing solution such as windshield washer solvent to tank.
4. Turn on machine until anti-freezing solution reaches the foamheads.
5. Check the airlines and liquid lines for holes and replace as required. Be sure to **flush, then drain, all liquid from the system prior to storage in freezing temperatures.**

TROUBLE-SHOOTING

If you do not get foam:

1. Be sure that the compressor is connected properly and that air is blowing into the tank. To be sure the airline and liquid lines do not have a hole in them or are not pinched, remove air and liquid tubing at each foamhead and check for flow.
2. Be sure you have enough foam concentrate in the tank. Very hard water may require a great amount of concentrate to produce good foam. Not having enough foam concentrate in the tank may make good foam, but may not make enough foam. Be sure to use a high quality concentrate such as GOODMARK.
3. Be sure the threaded tank cap is securely installed.
4. Check and clean the screen-strainer located in the tank.
5. Be sure the flow control valve is open.
6. If the foam mixture in the tank is several days old, it is possible that the solution is no longer able to foam or produces little foam. Drain tank, rinse, and start with a fresh solution.

PROBLEM: not enough foam - not enough foam concentrate in tank; hole in airline; pinched air or liquid lines. Clogged screen-strainer/foam heads. Adjust liquid flow control valve.

PROBLEM: wet foam - not enough foam concentrate; clean screen-strainer/foam head; reduce liquid flow

PROBLEM: surging - if foam is "surging" out under considerable pressure, you probably are using too much concentrate.

PROBLEM: foam does not last on the ground - use slightly more concentrate or a higher quality foam concentrate such as GOODMARK. Use collector heads.

PROBLEM: blowing foam in windy weather - mix foam solution with slightly less foaming agent or more water to produce a wetter, heavier foam.

APPENDIX 1

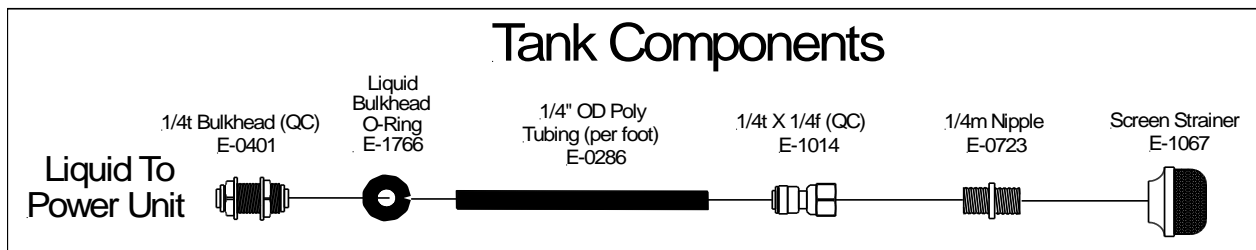
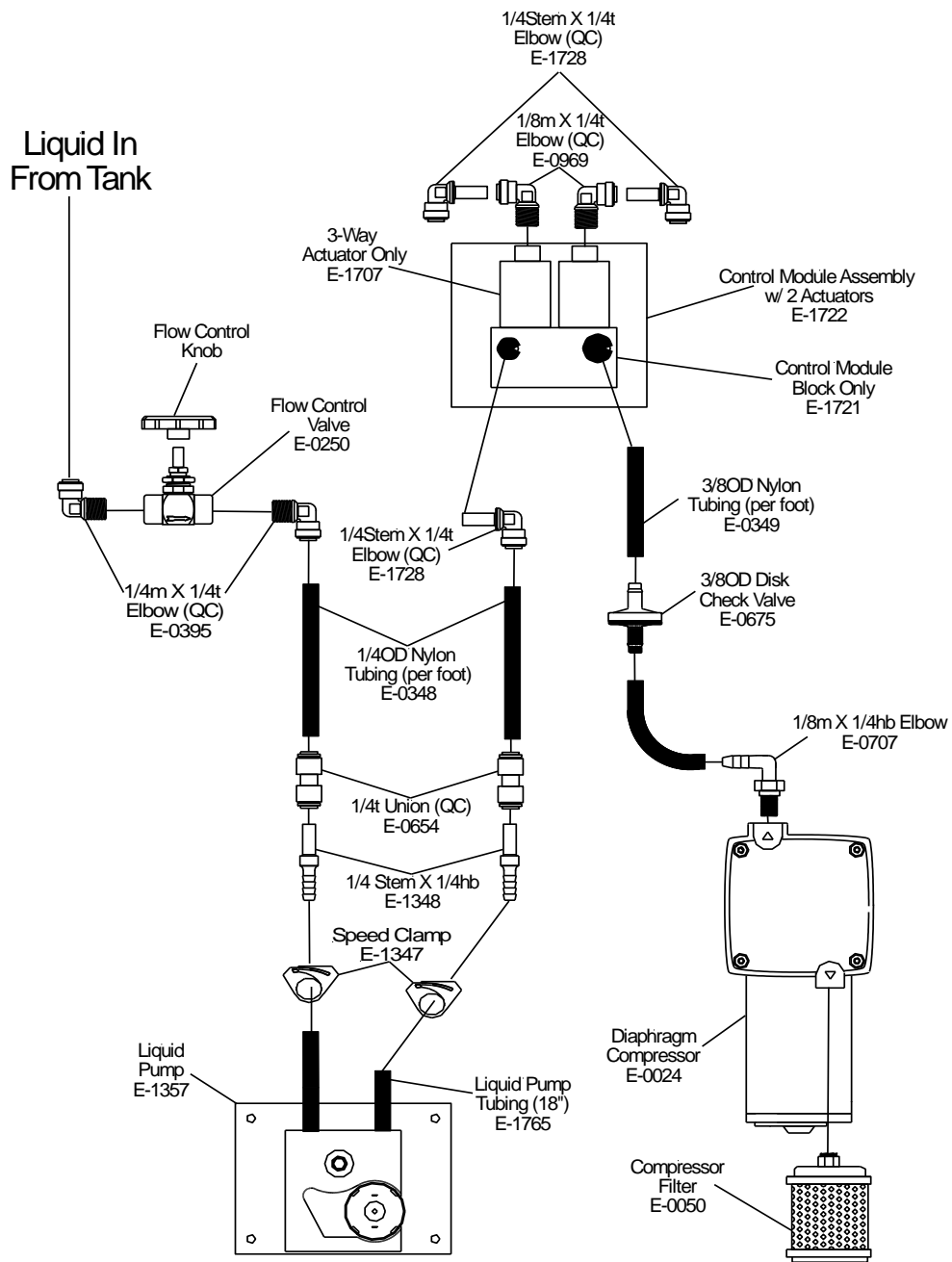


FIGURE 11 – TRACRITE Power Unit Internal Parts

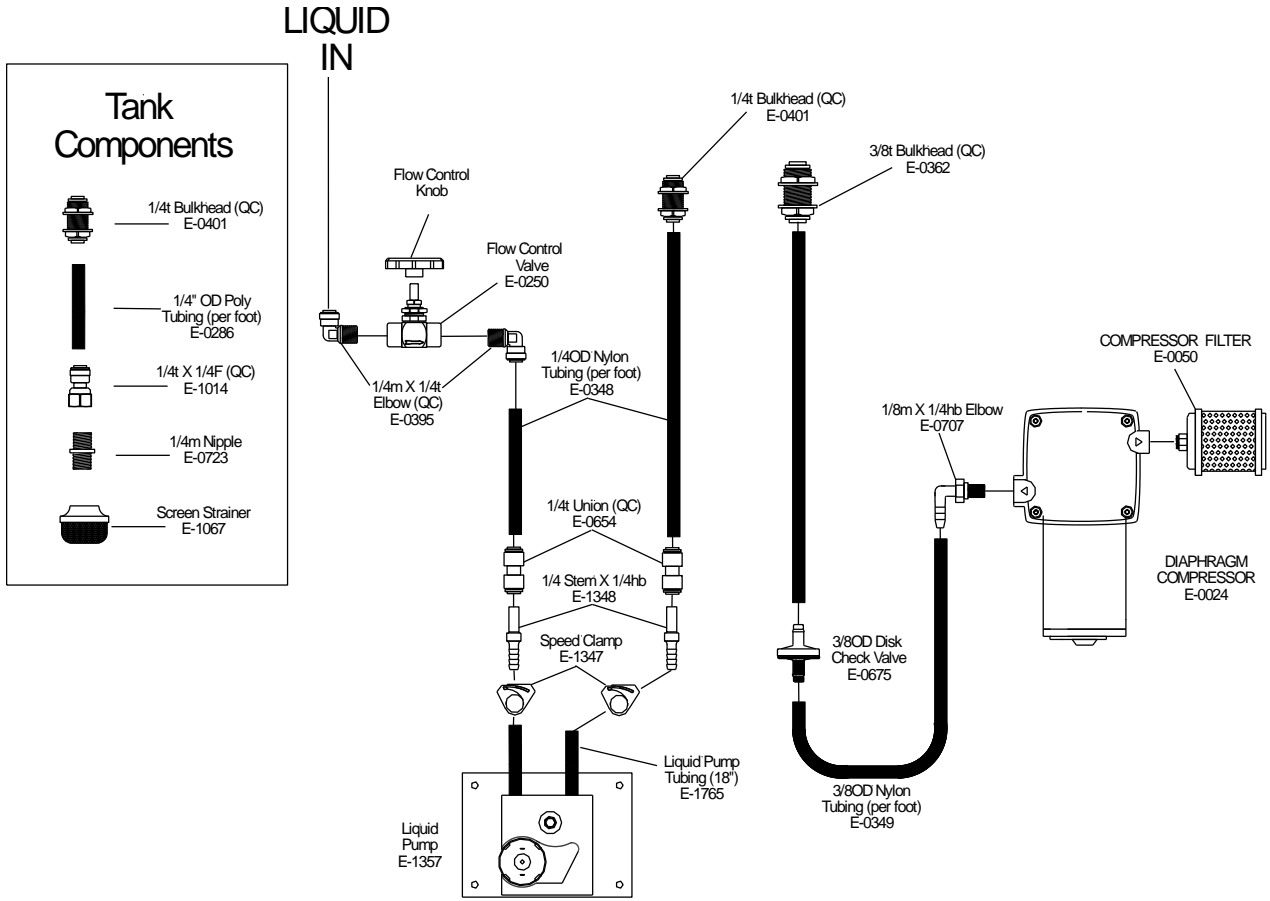


FIGURE 12 – TRACRITE-SINGLE DROP- Power Unit Internal Parts

APPENDIX 2

TRD WIRING DIAGRAM

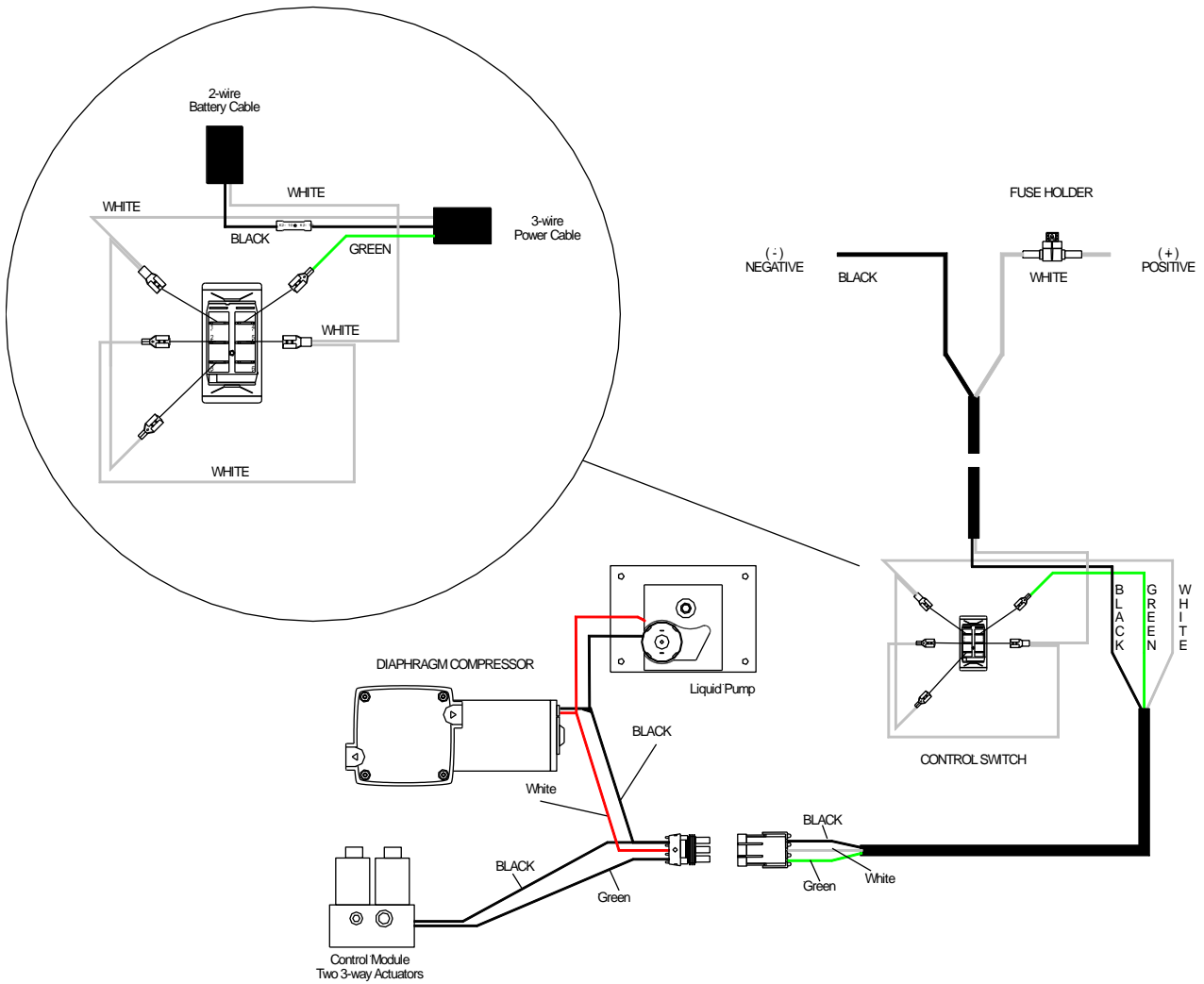


FIGURE 13 – TRACRITE Wiring Diagram

TRD-SD WIRING DIAGRAM

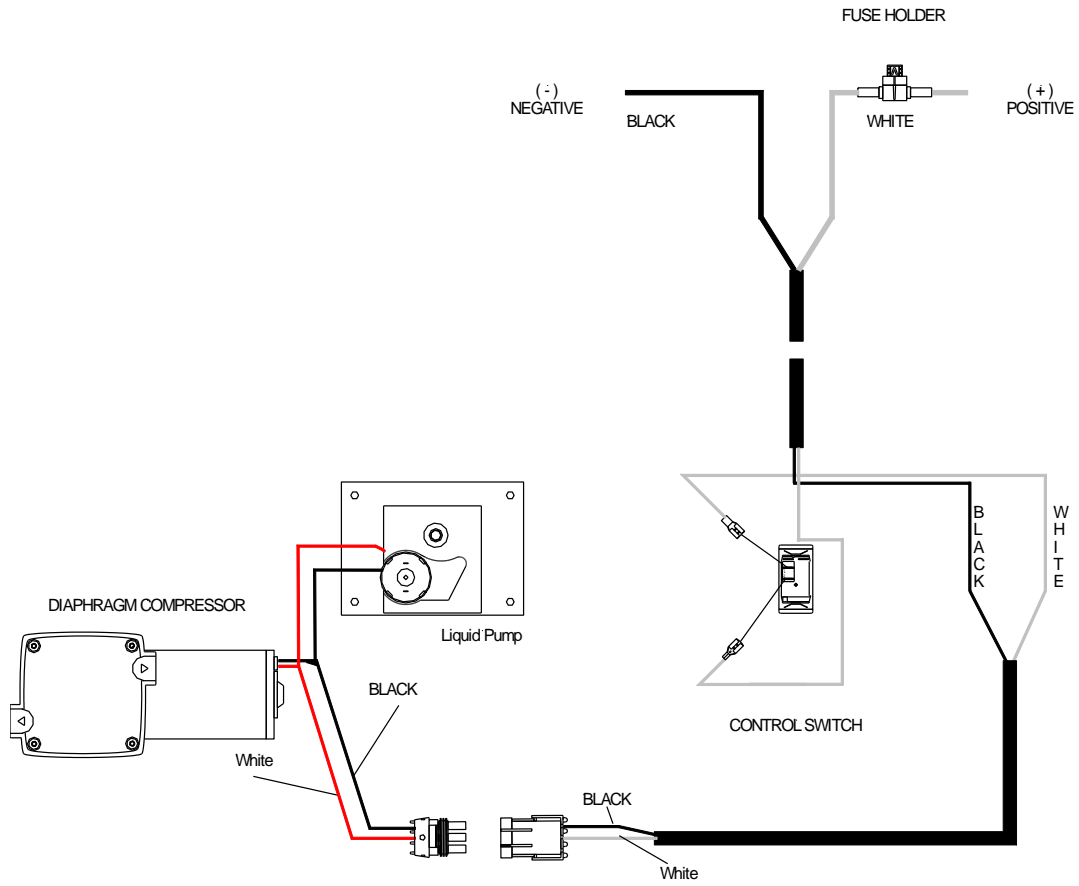


FIGURE 14 – TRACRITE-SINGLE DROP- Wiring Diagram

WARRANTY INFORMATION

Limited Warranty

Richway Industries, Ltd., foam marking systems and components are warranted against defects in materials and workmanship for a period of 1 year from date of shipment.

During this warranty period, Richway will repair or replace at no charge, those parts or components which upon receipt by Richway, following warranty analysis, prove to be defective.

This warranty does not apply to parts or products not manufactured by Richway Industries, Ltd., including but not limited to solenoid valves, Thomas or Gast diaphragm compressors, etc., the warranty of such items being limited to the actual warranty extended to Richway Industries, Ltd., by its supplier.

Further, this warranty does not cover part or component failures or damage due to misapplication, misuse, abuse, breakage, or improper installation, storage or handling, abnormal conditions of temperature, water, dirt, corrosive or other contaminants.

Products covered by this warranty must be used in compliance with all federal, state, and local regulations.

Disclaimer of Other Warranties

The foregoing limited warranty is in lieu of all other warranties, expressed or implied, including merchantability or fitness for a particular purpose. In no event shall Richway Industries, Ltd., be liable for indirect, consequential or special damages of any nature, whatsoever.

RICHWAY INDUSTRIES, LTD.
PO BOX 508, 504 NORTH MAPLE STREET
JANESVILLE, IOWA 50647 (USA)
TOLL FREE 800-553-2404, USA & CANADA
TELEPHONE 319-987-2976
FAX 319-987-2251
www.richwayind.com
EMAIL info@richwayind.com